

Trimless Recessed LED Downlight Round, Anti-Glare, 40° / 60° Beam, Bridgelux Chip, Lifud Driver



Product Family / Series Trimless Spotlights

Product Category Down Lights

Short Description :

Premium architectural trimless recessed downlight featuring anti-glare optics, Bridgelux COB LED and Lifud constant-current driver for high efficiency and long service life.



Optical Specifications

LED Brand	Bridgelux
LED Chip Type	COB
Luminous Flux	560 lm / 1000 lm
Luminous Efficacy	80 lm/W / 100 lm/W
Beam Angle	40° / 60°
CCT	3000 K
CRI	80
UGR	<19
Flicker	Flicker Free

Electrical Specifications

Rated Power	7 W / 10 W
Input Voltage	220-240 VAC
Frequency	50/60 Hz
Power Factor	0.5

Driver Brand	Lifud
Driver Model	LF-008S0160H / LF-012S0250H
Driver Type	Constant Current
Driver Efficiency	82%
Output Voltage	30-40 VDC
Output Current	160 mA / 250 mA
Dimming	Non-Dimmable (DALI upon request)
Surge Protection	1 kV (L-N)
Protection Features	Short Circuit, Overload, Over-Temperature, No-Load, Input Overvoltage, Self-Recovery

Mechanical Specifications

Housing Material	Aluminum
Reflector Material	PC
Finish	White / Black
Mounting Type	Trimless Plaster-in Recessed
Adjustable	Yes
Dimensions	75×75 mm / 98×80 mm
Cut-out Size	52 mm / 70 mm

Environmental

IP Rating	IP20
Operating Temperature	-20°C to +50°C
Storage Temperature	-40°C to +80°C
Application	Indoor

Lifetime & Reliability

Lifetime	30,000 Hours
Switching Cycles	50,000
Warranty	3 Years

Compliance

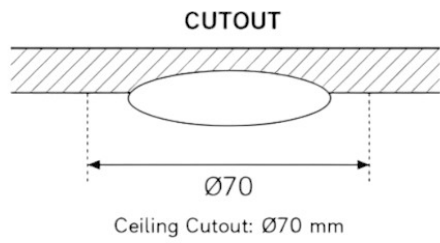
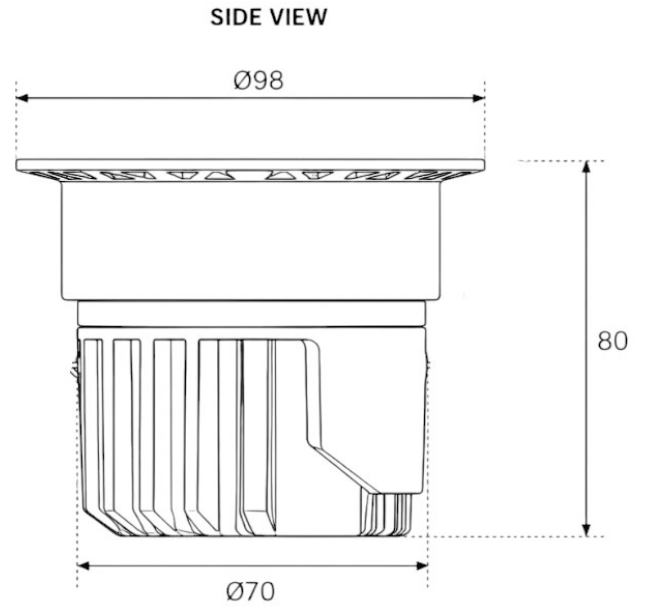
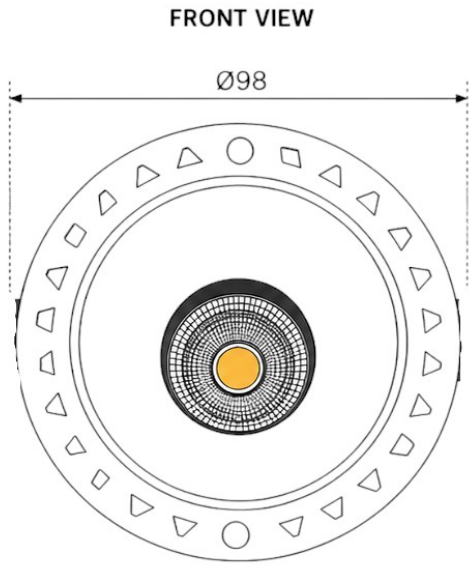
CE	Yes
RoHS	Yes

Applications

Recommended Areas	Residential, Retail, Hospitality, Office, Museum, Villa
-------------------	---

Key Features

Features	High Efficiency LED, Flicker Free, Long Lifetime, Low Glare, Easy Installation, Premium Aluminum Housing
----------	--



NOTES

- All dimensions are in millimeters.
- Ceiling thickness: 1 – 25 mm
- The luminaire can be installed in ceiling with sufficient strength to support the weight.