



Essential
SmartBright

LED Spotlight Outdoor



3W/6W

8W

10W

Easier to Light, Vivid and Elegant

Essential SmartBright LED Spotlight **BGP150 G2** is ideal spotlight for outdoor landscape, park, house, parterre, tree, boscage, heritage building lighting. It provides amazing and vivid light with compact and robust diecasting aluminum housing & spiker. Together with tempered glass and accurate lens design to ensure the best light effect.

Key specifications

- 3W/6W/8W/10W watt packages
- 24°/36° light beam angle option
- 3000K/4000K standard offer
- CRI>80
- Lifespan 15Khrs (L70B50@ta35°)
- 1KV/2KV Surge protection for more reliability
- Diecasting Aluminum housing and metal spike & tempered glass for more safety
- Professional lens design for vivid light effect
- ≤ 5SDCM color consistency

Features and benefits

- Spiker available for quick ground installation
- Built-in driver with wide volts input range
- CB/CE/EMC certified

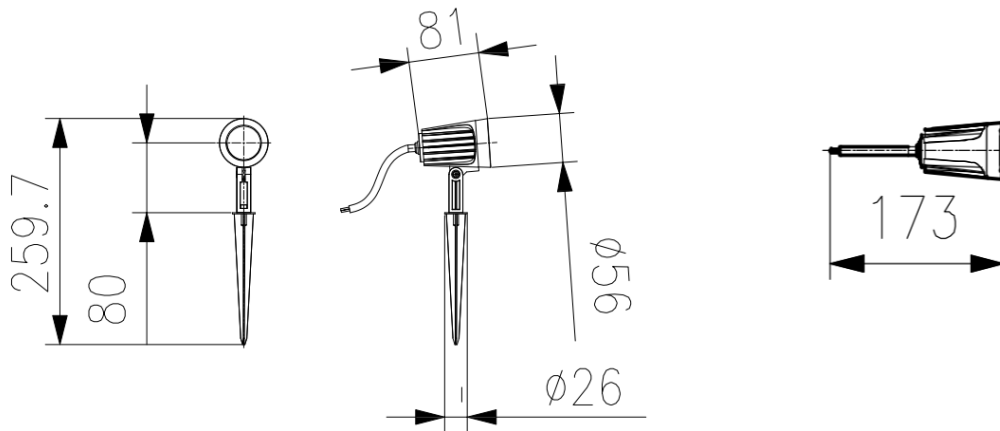


Product data:

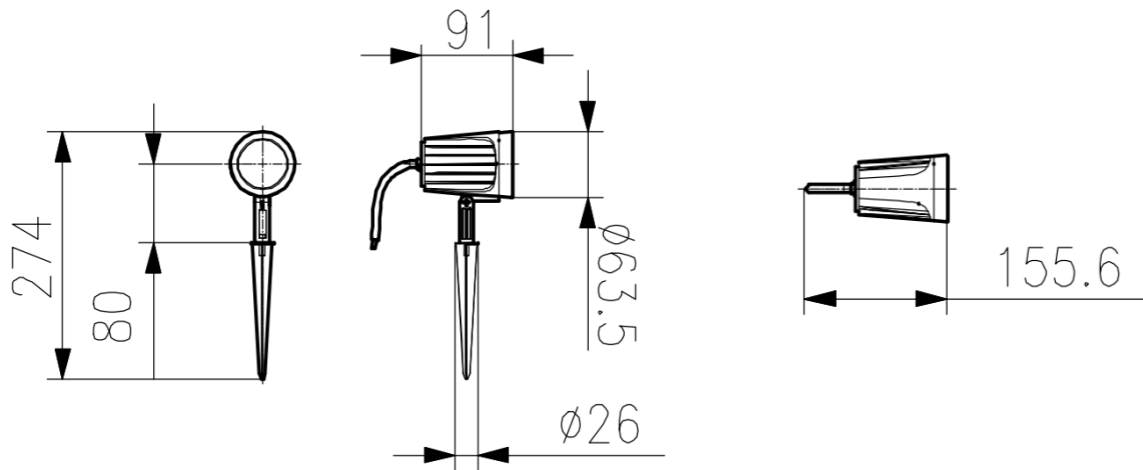
Spot light		BGP150 G2			
		3W	6W	8W	10W
System	CCT	3000K/4000K			
	Initial lumen output (steady state) @3000K	280LM±10%	470LM±10%	700LM±10%	1050LM±10%
	Initial lumen output (steady state) @4000K	300LM±10%	500LM±10%	730LM±10%	1100LM±10%
	Power consumption(W) ±10%	3W±10%	6W±10%	8W±10%	10W±10%
	CRI	80			
	Lifetime (ta 35°C) @L70B50	15K hours L70B50 @ ta 35°C			
	ambient temperature of operation	ta 35°C			
	working temperature range	-40°C to +50°C			
	working humidity	RH90%			
	Installation type	spiker in earth			
Optical	color consistency	≤5SDCM			
	Beam angel	24/36deg			
	Input Voltage (±10%)	100-240V~; 50/60Hz			
	Power Factor (full load)	PF≥0.4(3W); PF≥0.5(6W);PF≥0.9(8W &10W)			
	Safety Class	Class I			
	Surge Protection	L to N: 1kV L to ground &N to ground: 2kV			
	Adaptive Driver	driver inside			
	Control Interface	on/off			
	power connection	for outdoor application, flying cable length >300mm; H05RN-F/60245 IEC 57(YZW) 300/500V 0.75-2.5(3 pin)			
Mechanical & appearance	dimension	Ø56*H260mm (3W & 6W)	Ø63*H274mm	Ø73*H264mm	
	Salt spray	200 hours			
	IP rating	IP65			
	IK rating	IK06			
	Luminaire Shape	roundness			
	Housing material	Aluminum			
	Diffuser material	tempered glass			
	Lens material	PC			
	Housing design & color	Black			
Approbation	CE/CB/EMC; CCC				



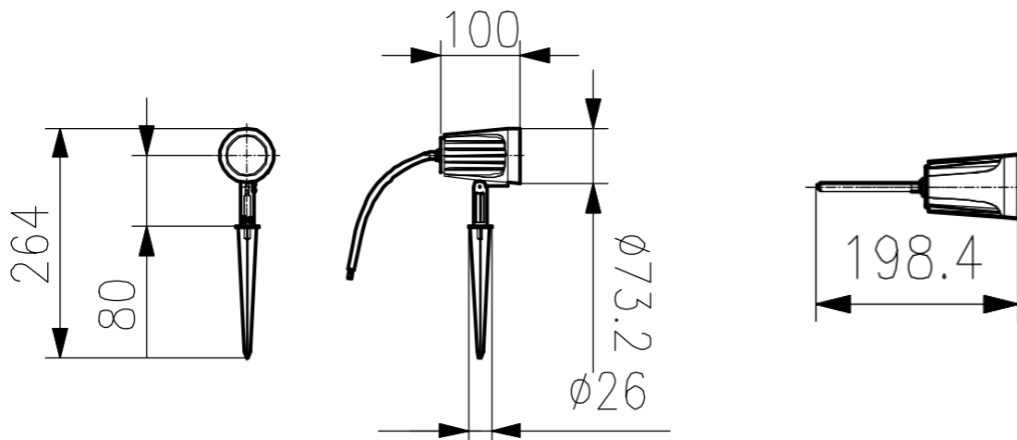
Luminaire Dimensions:



BGP150 G2 3&6W



BGP150 G2 8W

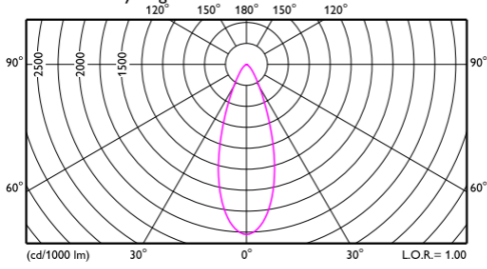


BGP150 G2 10W

Polar Candela Distribution Curves:

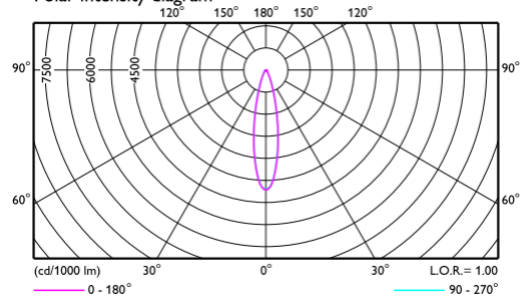


Polar intensity diagram



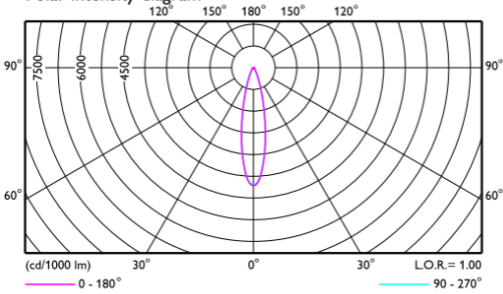
BGP150 G2 BGP150 G2 LED WW 100-240V 8W 1xLED 36

Polar intensity diagram



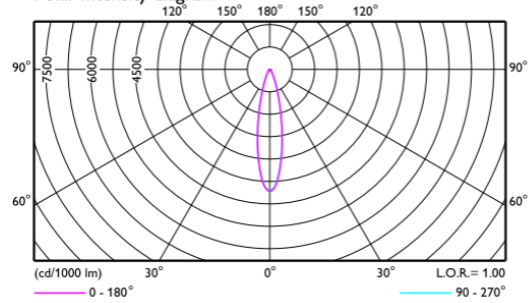
BGP150 G2 BGP150 G2 LED NW 100-240V 10W 1xLED 24

Polar intensity diagram



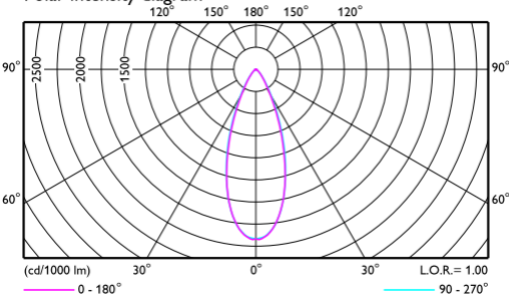
BGP150 G2 BGP150 G2 LED WW 100-240V 10W 1xLED 24

Polar intensity diagram



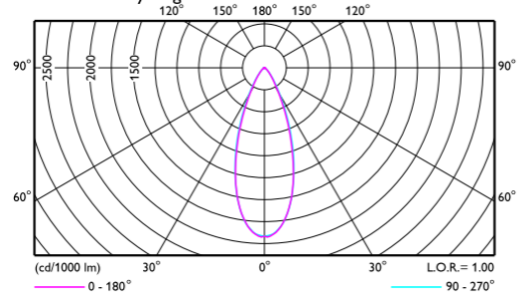
BGP150 G2 BGP150 G2 LED NW 100-240V 10W 1xLED 24

Polar intensity diagram



BGP150 G2 BGP150 G2 LED NW 100-240V 10W 1xLED 36

Polar intensity diagram



BGP150 G2 BGP150 G2 LED NW 100-240V 10W 1xLED 36



Order Information:

12NC	markets	SAP description	Wattage	CCT
911401509045	GC/GM	BGP150 G2 LED/WW 100-240V 3W 24	3W	3000k
911401509145	GC/GM	BGP150 G2 LED/NW 100-240V 3W 24	3W	4000k
911401509245	GC/GM	BGP150 G2 LED/WW 100-240V 3W 36	3W	3000k
911401509345	GC/GM	BGP150 G2 LED/NW 100-240V 3W 36	3W	4000k
911401509445	GCGM	BGP150 G2 LED/WW 100-240V 6W 24	6W	3000k
911401509545	GC/GM	BGP150 G2 LED/NW 100-240V 6W 24	6W	4000k
911401509645	GC/GM	BGP150 G2 LED/WW 100-240V 6W 36	6W	3000k
911401509745	GC/GM	BGP150 G2 LED/NW 100-240V 6W 36	6W	4000k
911401509845	GC/GM	BGP150 G2 LED/WW 100-240V 8W 24	8W	3000k
911401509945	GC/GM	BGP150 G2 LED/NW 100-240V 8W 24	8W	4000k
911401510045	GC/GM	BGP150 G2 LED/WW 100-240V 8W 36	8W	3000k
911401510145	GC/GM	BGP150 G2 LED/NW 100-240V 8W 36	8W	4000k
911401510245	GC/GM	BGP150 G2 LED/WW 100-240V 10W 24	10W	3000k
911401510345	GC/GM	BGP150 G2 LED/NW 100-240V 10W 24	10W	4000k
911401510445	GC/GM	BGP150 G2 LED/WW 100-240V 10W 36	10W	3000k
911401510545	GC/GM	BGP150 G2 LED/NW 100-240V 10W 36	10W	4000k

MoQ = 96 pcs/ 6 cartons

GC/GM - Spike included



© 2024 Signify Holding. All rights reserved. The information provided herein is subject to change, without notice. Signify does not give any representation or warranty as to the accuracy or completeness of the information included herein and shall not be liable for any action in reliance thereon. The information presented in this document is not intended as any commercial offer and does not form part of any quotation or contract, unless otherwise agreed by Signify.

Philips and the Philips Shield Emblem are registered trademarks of Koninklijke Philips N.V.

All other trademarks are owned by Signify Holding or their respective owners

www.lighting.philips.com