



# ELE-1000-930-DC-120W 24V G3 IP67

## OSRAM Strip- Singe color series



### Parameter Details :

Power per meter:	12W
Voltage:	DC24V
CCT:	90
LED/M:	120
Meter/Roll:	10M
Lifespan:	30000H
Working temperature:	-20°C-45°C

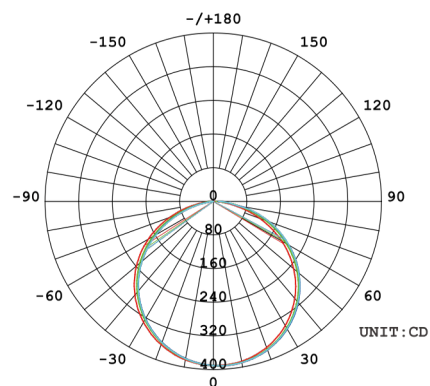
### Features :

- OSRAM SMD2835 High lighting efficiency for energy-saving;
- 3M tape at the back for easy installatin and use;
- Well-qualified technical design for 10M one-end power without voltage-loss;
- High CRI90 for better performance.

### Lumens output:

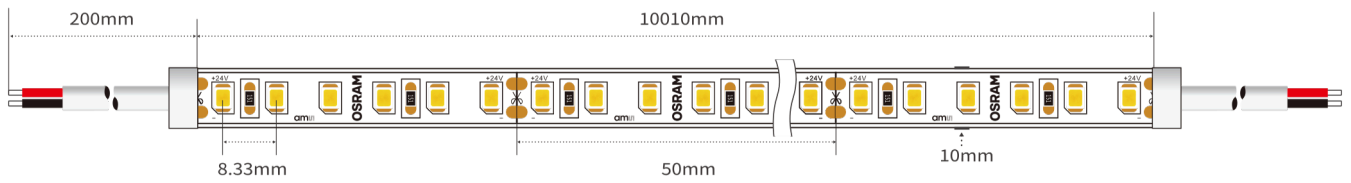
● 2700K	90lm/W
● 3000K	95lm/W
● 3500K	100lm/W
● 4000K	105lm/W
● 5700K	110lm/W

### Light Distribution:



AVERAGE BEAM ANGLE (50%) : 116.0 DEG

## Dimensions:



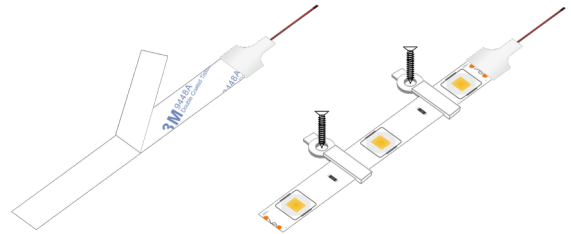
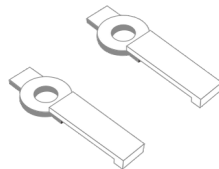
## Accessories:

\* The number of accessories in the accessory package can be freely matched by the customer.

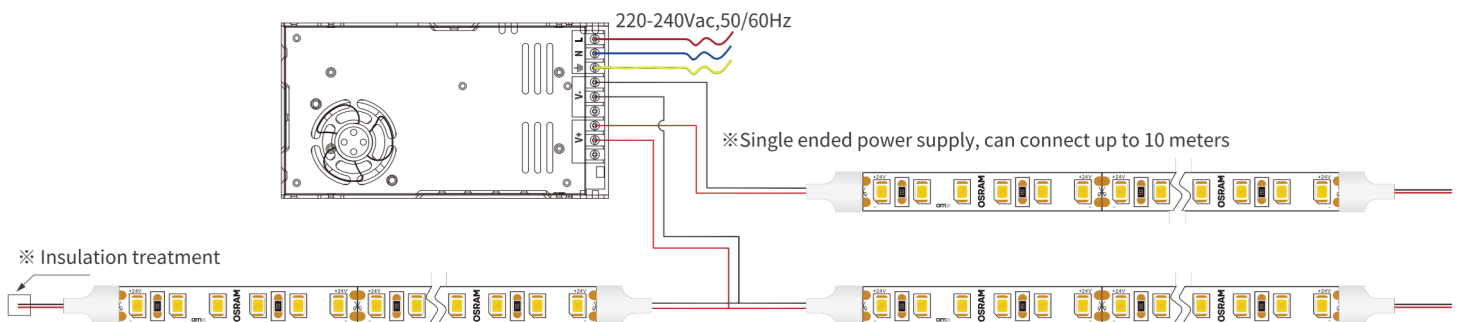
Standard: 3M adhesive



Optional: buckles 2 pieces/meter



## Connection:



## Precautions:

---

- Please use an isolated power supply to drive the LED light bar, and the ripple of the constant voltage source is less than 5%. Do not use resistance-capacitance step-down, non-isolated power supplies to drive the LED light bar.
  - In actual applications, the power supply should reserve 20% of the margin (it is recommended to use only 80% of the power) to ensure sufficient voltage to drive the product.
  - Please operate carefully, do not touch the AC power terminal when the power is on to prevent electric shock.
  - Pay attention to the positive and negative poles of the power cord, and do not connect it wrongly. Whether the voltage of the power supply and the product are the same, so as to avoid damage to the product.
  - During the installation process, please avoid scratching, twisting and irregular bending of the product, otherwise it may cause irreparable damage to the product.
  - In order to ensure the life and reliability of the light strip, please do not bend it in an arc with a radius of less than 60mm. A too small bending radius will damage the product itself.
  - If the actual application length exceeds the specified use length, it will cause the lamp belt to overload and heat, and the brightness is uneven.
  - In order to prevent your eyes from being hurt, try to avoid staring at the light-emitting surface of the light bar for a long time.
  - Non-professionals are prohibited from installing, disassembling and repairing the product.
  - It is strictly forbidden to use any acidic or alkaline adhesives to fix products (including but not limited to glass glue, etc.).
  - IP67 protection products are not suitable for swimming pool underwater.
  - Products of different sizes and specifications under the same color temperature value due to structural differences, the final color of the product is slightly deviated, and it must be confirmed before use.
  - When the IP67 protection product is installed and applied, the waterproof level needs to be downgraded after self-processing and cutting.
  - Please use professional cutting tools when cutting.
  - Engineering packaging neon light belt (20~50m), please use pay-off rack during construction to avoid damage to the product caused by pulling force.
  - Attention, there are 2 soldering parts per reel (5m/reel) at most when mass production.
-