

### LVED SUP 26/220-240/700 DIM

Constant Current LED Power Supply

150/200/250/300/350/400/450/500/550/600/650/700mA

Indoor LED driver with wide adjustable output current by Dip-switch applicable for built-in and independent application, Dali-2 complied dimmable



built-in

#### Benefits:

- ✓ Current selectable by dip switch with 12 steps
- ✓ Suitable for wide range load power
- ✓ High reliability, high efficiency, long lifetime up to 50KHrs
- ✓ Independent and built-in application selectable
- ✓ Equipped over temperature /short circuit /Overload protection/ No-load protection.
- ✓ DALI-2 approved
- ✓ Low ripple current
- ✓ 5 years guarantee
- ✓ Class I/II application

#### Applications:

- ✓ Hotel, Residential, Apartment , office, Shop
- ✓ For indoor luminaires, Downlights, Spotlights, Panels etc.

#### Standards:

- ✓ Safety: IEC/EN 61347-1; IEC/EN 61347-2-13;
- ✓ EMC Standards:CISPR15/EN 55015; IEC/ EN 61547; IEC/EN61000-3-2;
- ✓ Performance: IEC 62384; IEC 62386.

- Input Voltage: 220-240VAC
- Output current: 150/200/250/300/350/400/450/500/550/600/650/700mA
- Output Power: 1.35-26.3W
- Output voltage: 9-52VDC
- PF: 0.95
- DALI-2 & Push dimming
- Ripple current:  $\leq 5\%$
- THD: 10%
- Efficiency: 85%
- SELV
- Long lifetime:50khrs
- ta: -20...50°C

### Electrical Specifications

Category	Item	Technical Norm	Conditions
Input	Rated Input Voltage	220-240V	
	Range of AC Input Voltage	198-264V	
	Range of DC Input Voltage	198-270VDC	
	Frequency	50/60Hz	
	Input Current	0.2A	@full load,230V
	Input Power	30.2W	@full load,230V 50Hz
	Power Factor	0.95	@full load,230V 50Hz
	THD	10%	@full load,240V 50Hz
	Inrush Current	<30A	t <sub>width</sub> = 200 μs typical (measured at 50% I <sub>peak</sub> )
	Stand-by power	0.5W	
	Max. units per circuit breaker	36pcs	C16
Output	Nominal Output Voltage	9-52V	
	No load Voltage	<60V	
	Output Current mA@wattage	150/200/250/300/350/400/450/500/550/600/650/700mA	
	Output Current tolerance	±5%	
	Max. Output Power	26.3W	
	Efficacy	85%	@full load,230V 50Hz
	Current Ripple	≤5%	
Dimming	Dimming control method	DALI-2	
	Push DIM	Yes	Share DA/DA port
	Dimming method	Amplitude	
	Dimming range	1%-100%	Min dimming level limitation 5mA
	Dim to OFF	Yes	
	DALI master compatibility	OSRAM DALI Magic	

# Constant Current LED Power Supply

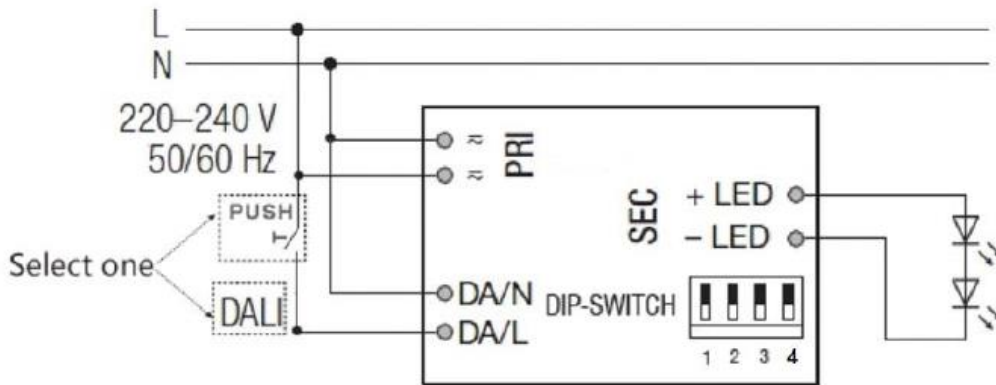
LVED Constant Current LED DALI2 Dimming Driver



## Electrical Specifications

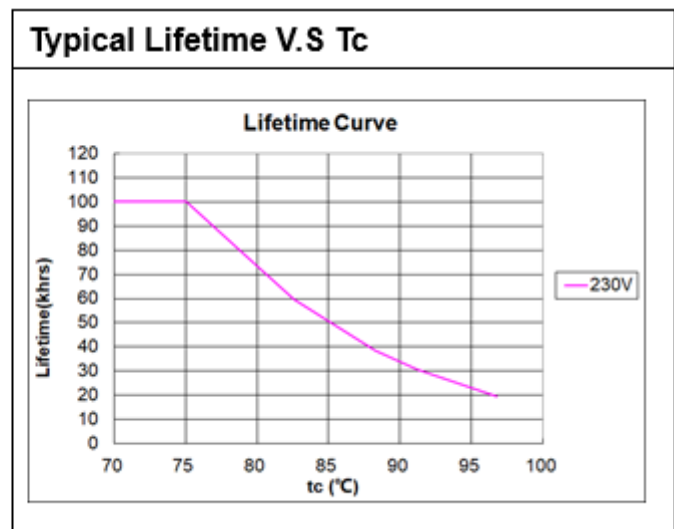
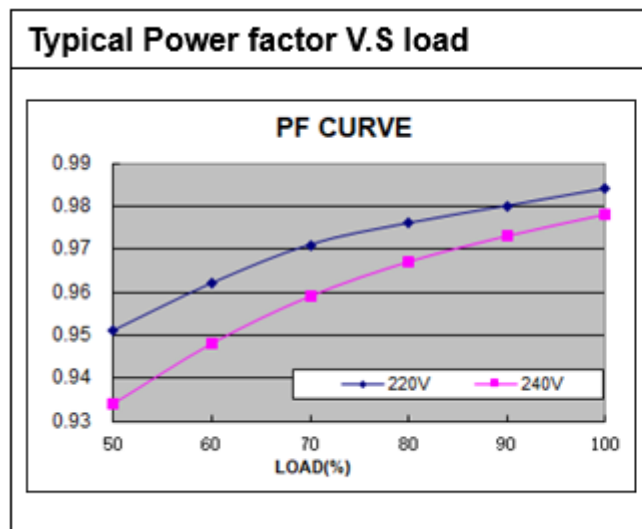
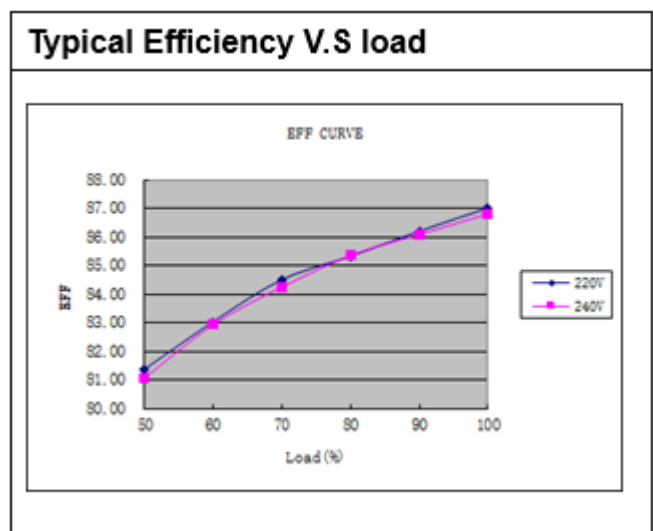
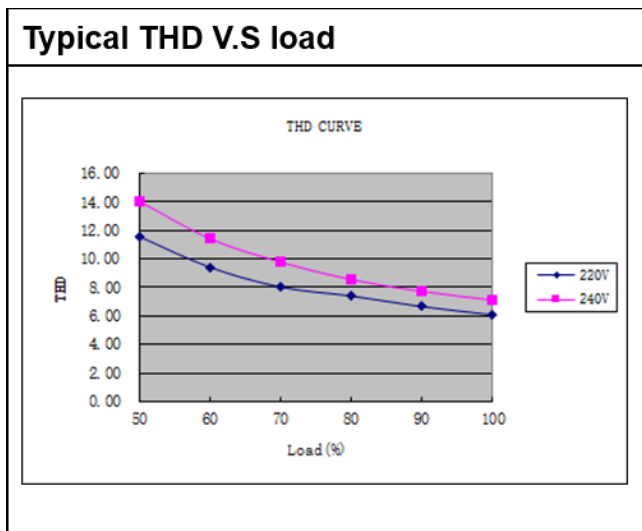
Category	Item	Technical Norm	Conditions
Protection	Over temp. Protection	Y	Automatic recoverable
	Short Circuit Protection	Y	Latch off
	Overload Protection	Y	>Vo max +2V, Latch off
	No-load Protection	Y	Latch off
Condition	ta/Operation Temperature	-20--+50°C	Not for corner application
	ts/Storage Temperature	-40--+85°C	Cool down before operating
	tc/Enclosure Temperature	85°C	
	Humidity	5%...85%	No condensing
	Environment	-10--+40°C	
	Switching test	> 100000	
Standards	Certification	CB CE ROHS DALI-2	
	Safety Standards	IEC/EN 61347-2-13, 61347-1	
	EMC Standards	CISPR15/EN55015, IEC/EN61547,IEC/EN61000-3-2	
	Performance	IEC62384	
	DALI	IEC62386-101/102/207	
	ESD testing	EN61000-4-2	
	Surge	EN61000-4-5	
Others	Product Dimension	97*43*30mm 131*43*30mm(with cable clamp)	
	Weight	115g 134g(with cable clamp)	
	RoHS	Y	
	Screw Torque	4.0-6.0	kgf.cm
	Life Time	50,000hrs	ta = 50°C ,tc =85°C, 10% failure rate

### Driver installation instruction



Max. 2m whole length (excl. modules)

### Curves

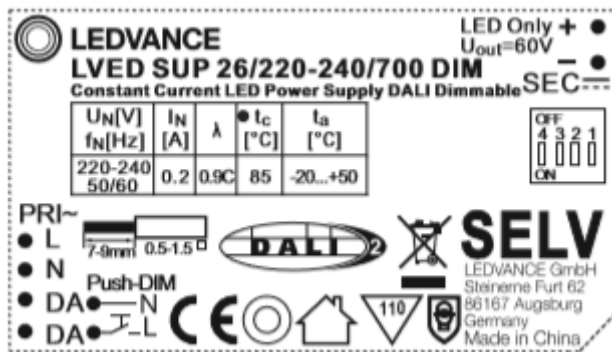


### Output Current Setting\*

PIN1	PIN2	PIN3	PIN4	Vout(V)	Iout(mA)	Pmax(W)
—	ON	—	—	9-52	150	7.8
—	ON	—	ON	9-52	200	10.4
—	ON	ON	—	9-52	250	13.0
—	ON	ON	ON	9-52	300	15.6
ON	—	—	—	9-52	350	18.2
ON	—	—	ON	9-52	400	20.8
ON	—	ON	—	9-52	450	23.4
ON	—	ON	ON	9-52	500	26.0
ON	ON	—	—	9-47.5	550	26.1
ON	ON	—	ON	9-43.5	600	26.1
ON	ON	ON	—	9-40	650	26.0
ON	ON	ON	ON	9-37.5	700	26.3

\*Dip Switch default setting is max. current.

### Product Label



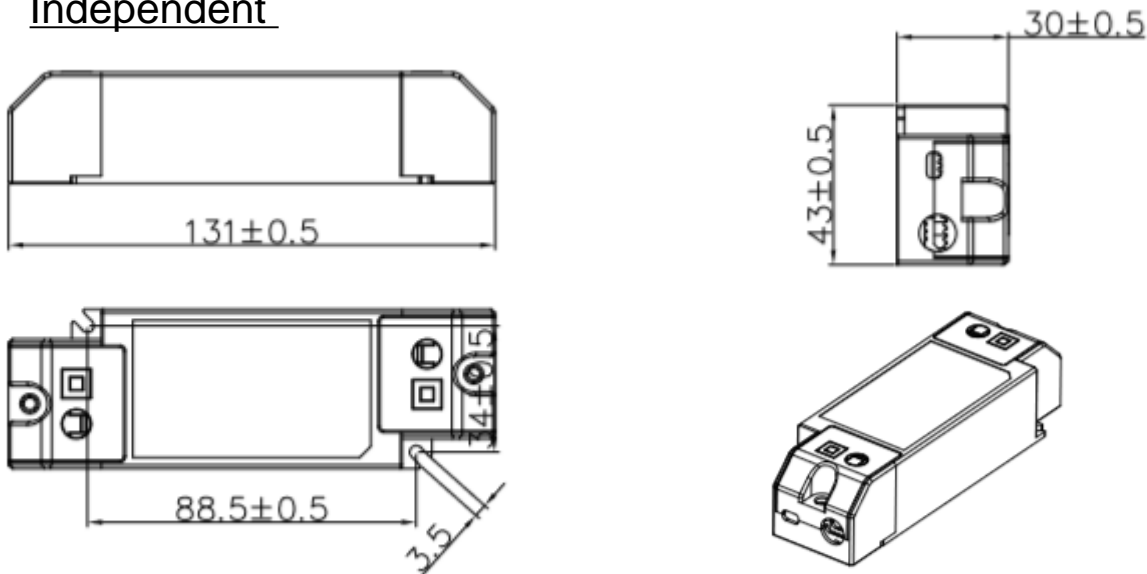
Front Housing

		9-52										9-47.5		9-43.5		9-40		9-37.5	
		V <sub>o</sub> (Vdc)										26.1		26.1		26.0		26.3	
		P <sub>max</sub> (W)										26.1		26.1		26.0		26.3	
		I <sub>c</sub> (mA)										550		600		650		700	
		4										—		—		—		—	
		3										—		—		—		—	
		2										—		—		—		—	
		1										—		—		—		—	
1	—	—	—	—	—	—	—	—	—	—	—	—	—	—	—	—	—	—	—
2	—	—	—	—	—	—	—	—	—	—	—	—	—	—	—	—	—	—	—
3	—	—	—	—	—	—	—	—	—	—	—	—	—	—	—	—	—	—	—
4	—	—	—	—	—	—	—	—	—	—	—	—	—	—	—	—	—	—	—
1	—	—	—	—	—	—	—	—	—	—	—	—	—	—	—	—	—	—	—
2	—	—	—	—	—	—	—	—	—	—	—	—	—	—	—	—	—	—	—
3	—	—	—	—	—	—	—	—	—	—	—	—	—	—	—	—	—	—	—
4	—	—	—	—	—	—	—	—	—	—	—	—	—	—	—	—	—	—	—

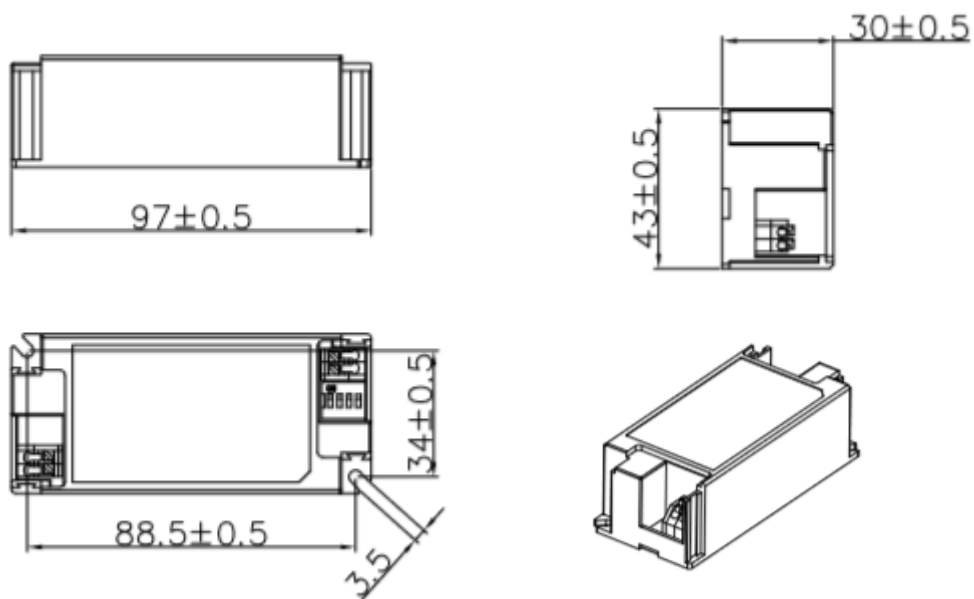
Side Housing

### Dimension

#### Independent



#### Build-in



### Logistical Data

Product code	Product description	Housing material	Carton Qty (Pieces/Unit)	Size(L x WxH)	Gross weight (kg)
4058075425699	LVED SUP 26/220-240/700 DIM VS20 LEDV	Plastic	20	257*227*100	2.52
4058075446274*	LVA CABLE CLAMP CC DALI VS200 LEDV	Plastic	200	257*227*100	4.404

\* If for independent application, need to order separately.