

Product datasheet

Specifications



Electronic doorbell, New Unica, 70dB/1m, 2 modules, white

NU378618

Main

Range	New Unica
Device application	Signalling
Product or component type	Electronic doorbell
Device presentation	Mechanism
[Ue] rated operational voltage	230 V AC 50/60 Hz
Number of modules	2 modules
fixing mode	Screws or claws
Colour tint	White (RAL 9003)

Complementary

Current consumption	14 mA
Type of setting	5 programmable melodies
Device mounting	Flush
Connections - terminals	Screw terminals
Acoustic level	70 dB/1m
Cable cross section	0.75...1.5 mm ² flexible cable 0.75...1.5 mm ² rigid cable
Connected auxiliaries	3 indicator lights connected in parallel 10 standard push-buttons connected in parallel
Material	Thermoplastic ABS-UV stabilised: mechanism rocker PC (polycarbonate) GF10 FR: casing
Standards	EN 62080 CE
Directives	2014/30/EU - electromagnetic compatibility 2014/35/EU - low voltage directive
Ambient air temperature for operation	15...30 °C
Ambient air temperature for storage	0...35 °C
Embedding depth	31 mm
Depth	50 mm
Width	45 mm
Height	45 mm
Net weight	0.046 kg

Price is "List Price" and may be subject to a trade discount – check with your local distributor or retailer for actual price.

resistance to chemical agents	Resistant to alcohol (70 %) Resistant to alcohol (96 %) Resistant to A-Lactic Acid Resistant to diluted quaternary ammonium Resistant to diluted bleach Resistant to diluted ammonia Resistant to soapy water Resistant to crystal cleaner Resistant to hydrogen peroxide 10 volumes Resistant to hexane
--------------------------------------	---

Environment

IK degree of protection	IK04
IP degree of protection	IP20

Packing Units

Unit Type of Package 1	PCE
-------------------------------	-----

Number of Units in Package 1	1
-------------------------------------	---

Package 1 Height	6.500 cm
-------------------------	----------

Package 1 Width	8.000 cm
------------------------	----------

Package 1 Length	8.500 cm
-------------------------	----------

Package 1 Weight	82.000 g
-------------------------	----------

Unit Type of Package 2	S01
-------------------------------	-----

Number of Units in Package 2	9
-------------------------------------	---

Package 2 Height	15.000 cm
-------------------------	-----------

Package 2 Width	15.000 cm
------------------------	-----------

Package 2 Length	40.000 cm
-------------------------	-----------

Package 2 Weight	950.000 g
-------------------------	-----------


Environmental Data

Schneider Electric aims to achieve Net Zero status by 2050 through supply chain partnerships, lower impact materials, and circularity via our ongoing "Use Better, Use Longer, Use Again" campaign to extend product lifetimes and recyclability.

[Environmental Data explained >](#)

[How we assess product sustainability >](#)

Use Better

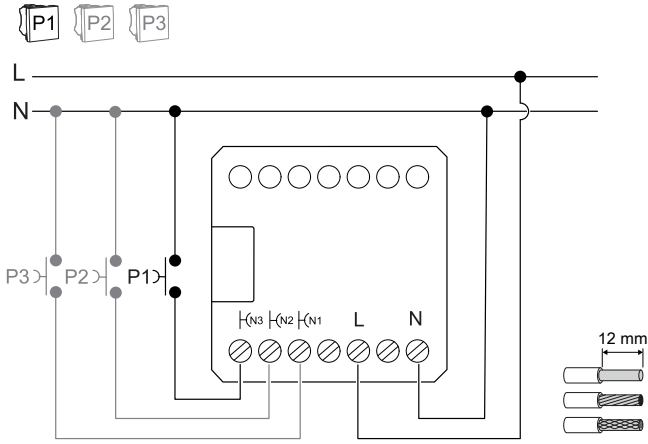
 Materials and Substances	
Packaging made with recycled cardboard	Yes
Packaging without single use plastic	No
EU RoHS Directive	Compliant
REACH Regulation	REACH Declaration

Use Again

 Repack and remanufacture	
Take-back	No
WEEE Label	 The product must be disposed on European Union markets following specific waste collection and never end up in rubbish bins

Technical Illustration

Wiring diagram



⚠ ⚠ DANGER

HAZARD OF ELECTRIC SHOCK, EXPLOSION, OR ARC FLASH

- The product must be installed and connected by a qualified electrician. A qualified electrician must demonstrate an in-depth knowledge of:
- Construction of electrical installations in buildings in accordance with IEC 60364
 - Additional safety standards, local connection rules, and building regulations
 - Standardized tools and measuring equipment

Failure to follow these instructions will result in death or serious injury.